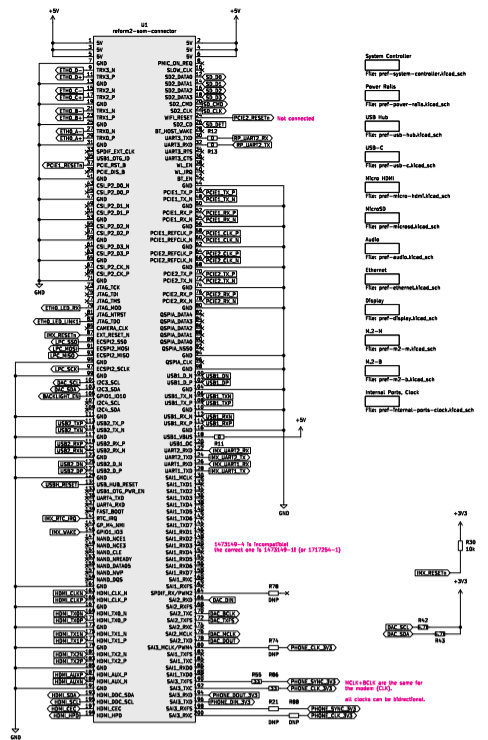
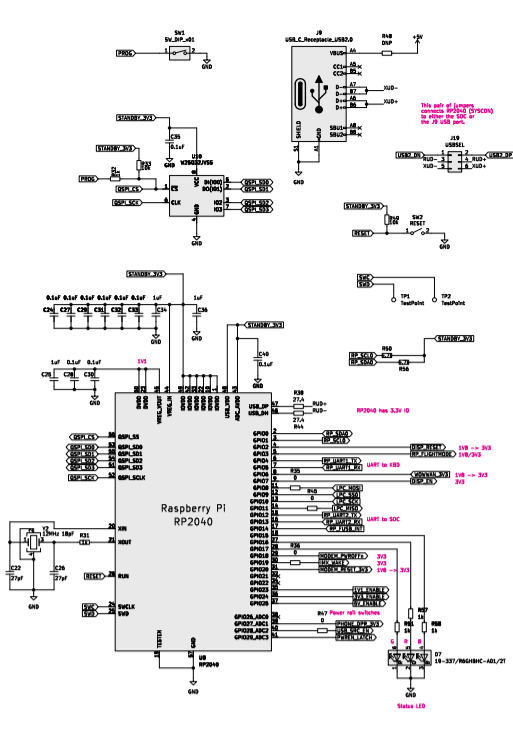


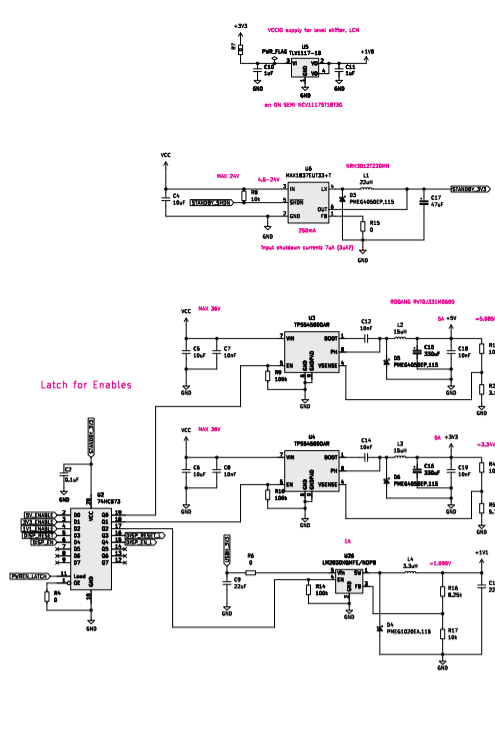
Processor Module Slot



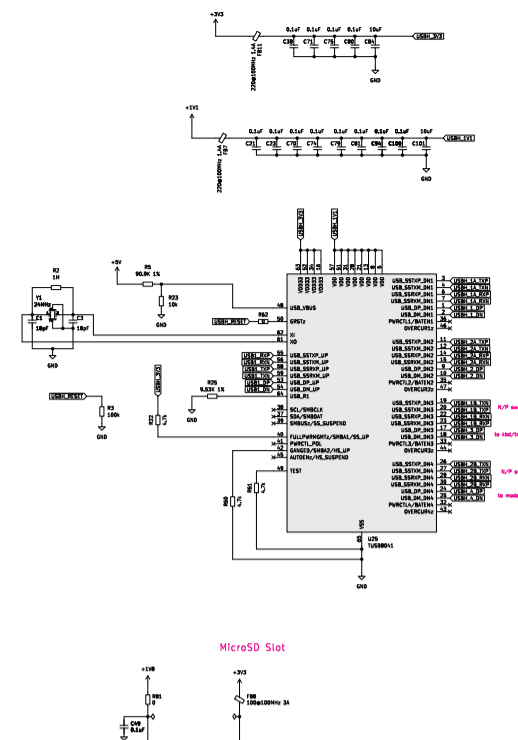
System Controller



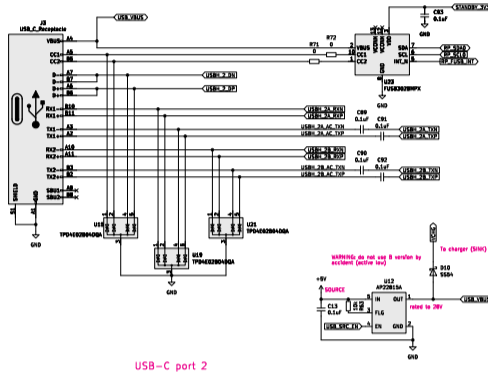
Power Rails



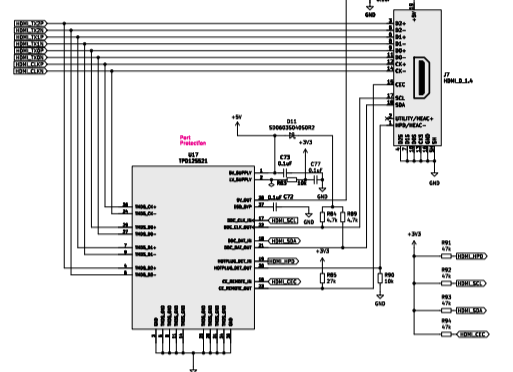
USB Hub



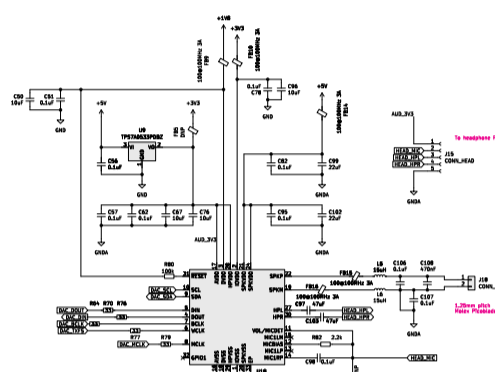
USB-C port 1 with PD charging



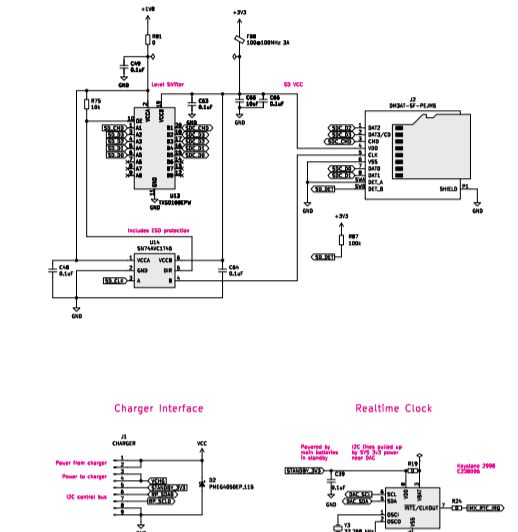
Micro HDMI Port



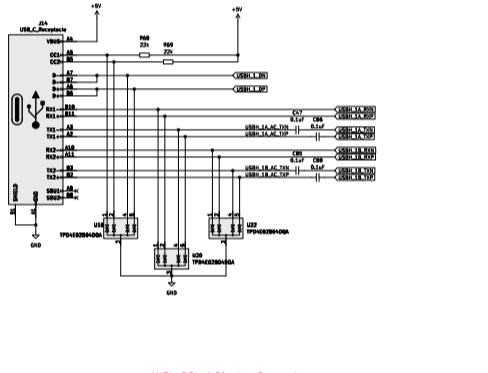
Audio



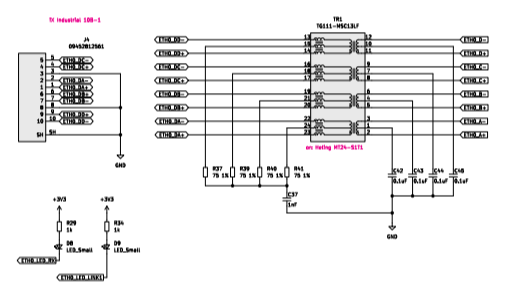
MicroSD Slot



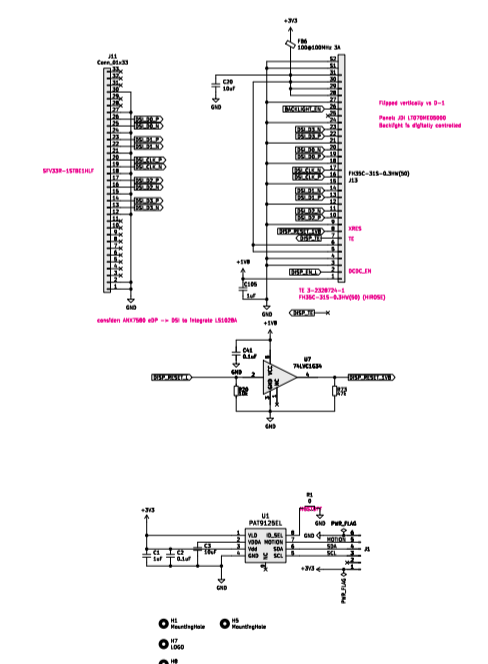
USB-C port 2



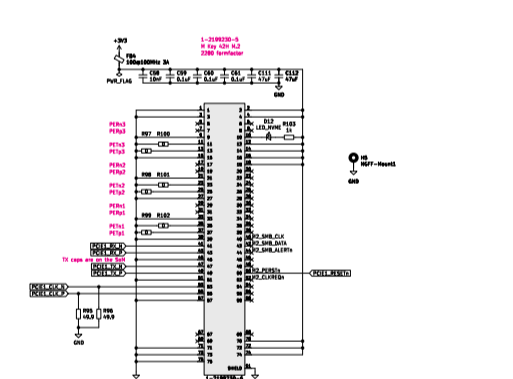
1Gb Ethernet



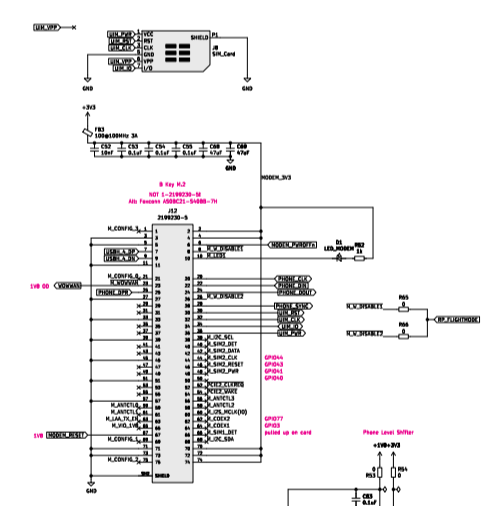
MIPI-DSI / Display Connector



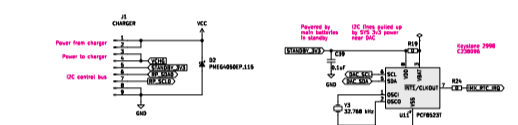
SSD M.2 Card Slot



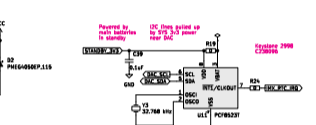
WWAN M.2 Card Slot



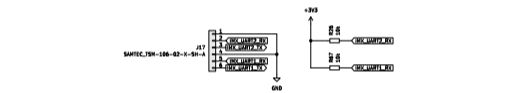
Charger Interface



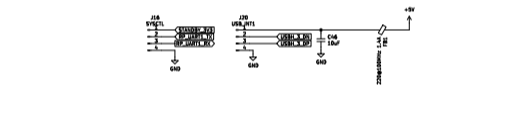
Realtime Clock



Serial Ports



Internal USB/UART (Keyboard/TB Interface)



Qwicc I2C Interface



Hard Powerdown Interface



Mounting Holes Etc

