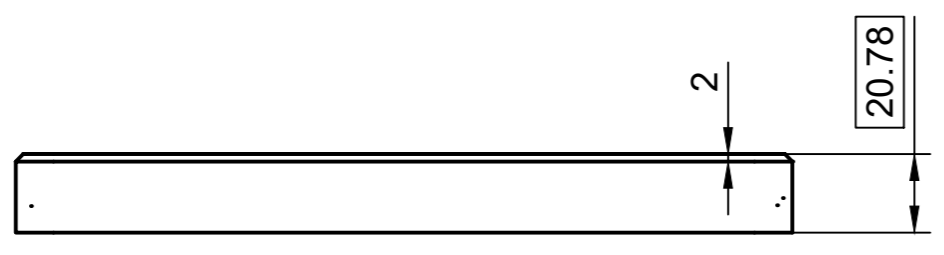
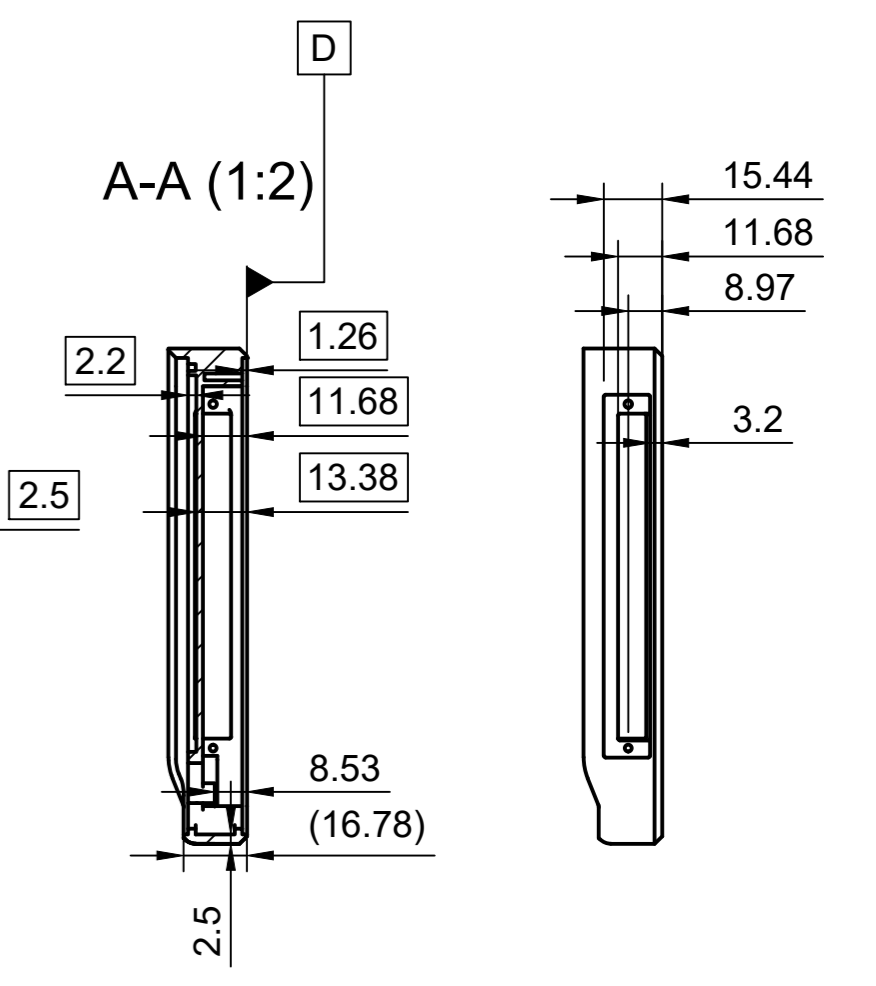
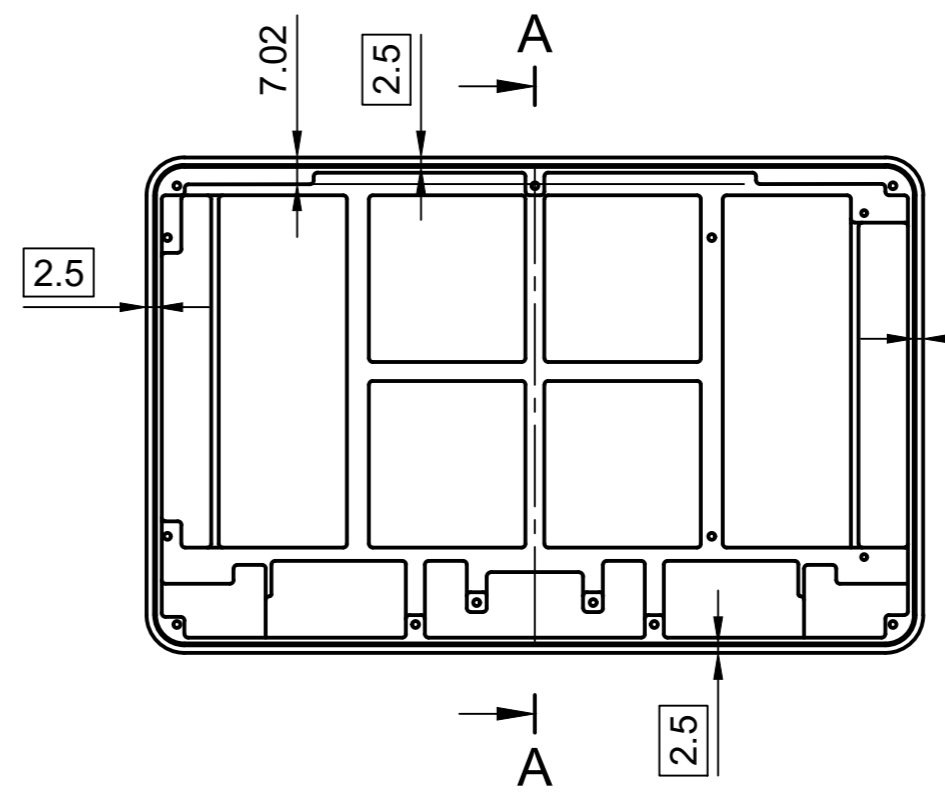
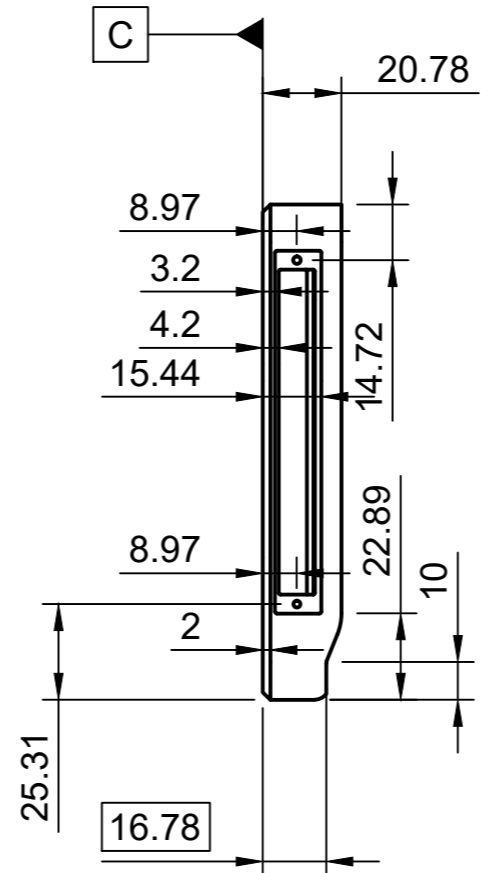
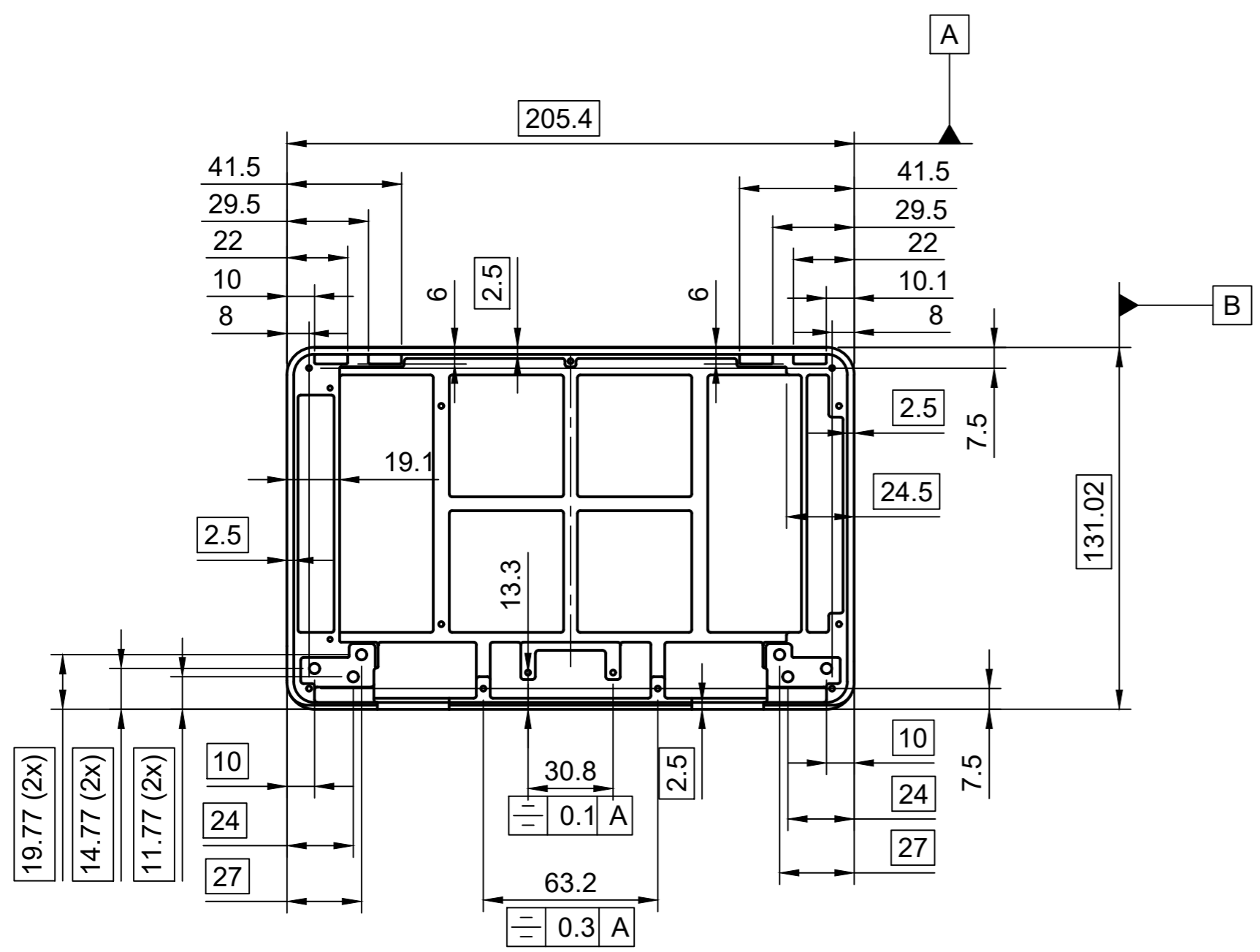


1 2 3 4 5 6 7 8 9 10 11 12

A B C D E F G H



Notes:  
 Critical Dimensions: □  
 Reference Dimensions: ( )

Limits for nominal size	Medium (m)	Fine (f)
0.5mm* to 3mm	±0.1mm	±0.05mm
Over 3mm to 6mm	±0.1mm	±0.05mm
Over 6mm to 30mm	±0.2mm	±0.1mm
Over 30mm to 120mm	±0.3mm	±0.15mm
Over 120mm to 400mm	±0.5mm	±0.2mm

**CONCEPT STUDY**  
**V03 - 22.11.2023**

Dept.	Technical reference	Created by <b>Ana Dantas</b>	9/2/2023	Approved by
Material: Aluminum 6082 Tolerance: SO 2768 mittel (m)		Document type	Document status	
		Title <b>Top enclosure</b>	DWG No.	
Rev.	Date of issue	Sheet <b>1/1</b>		